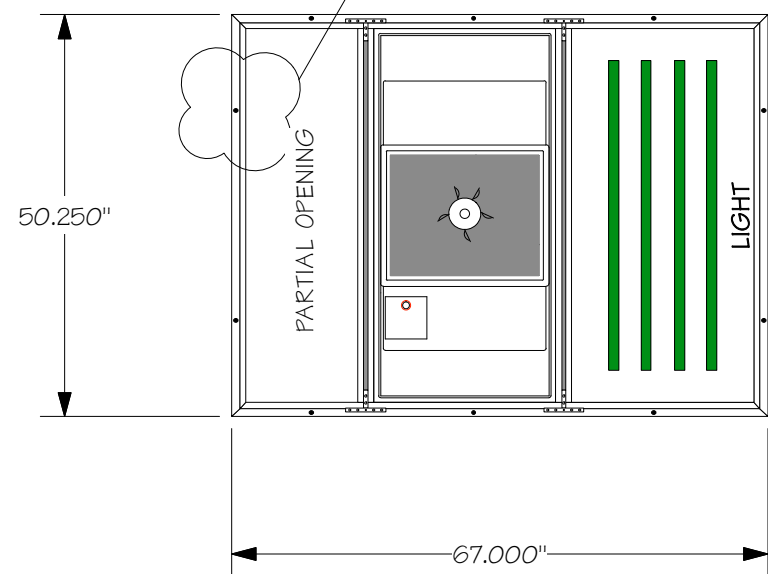
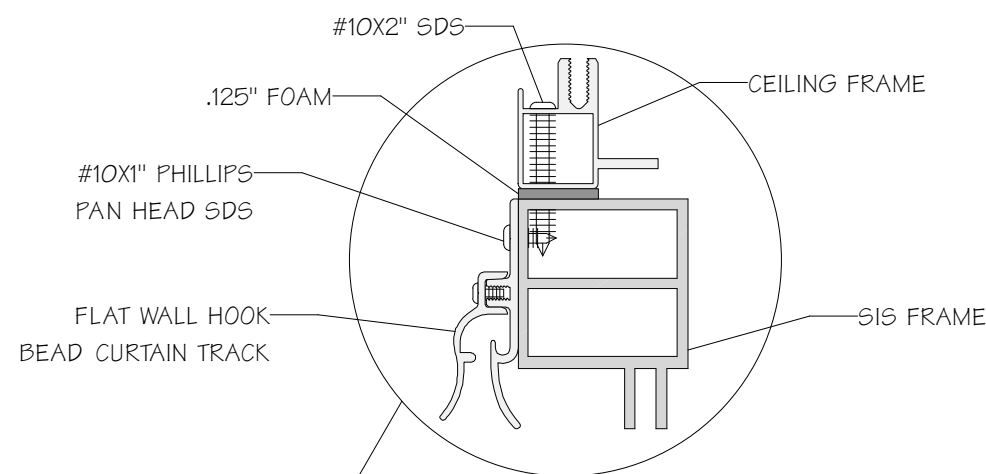
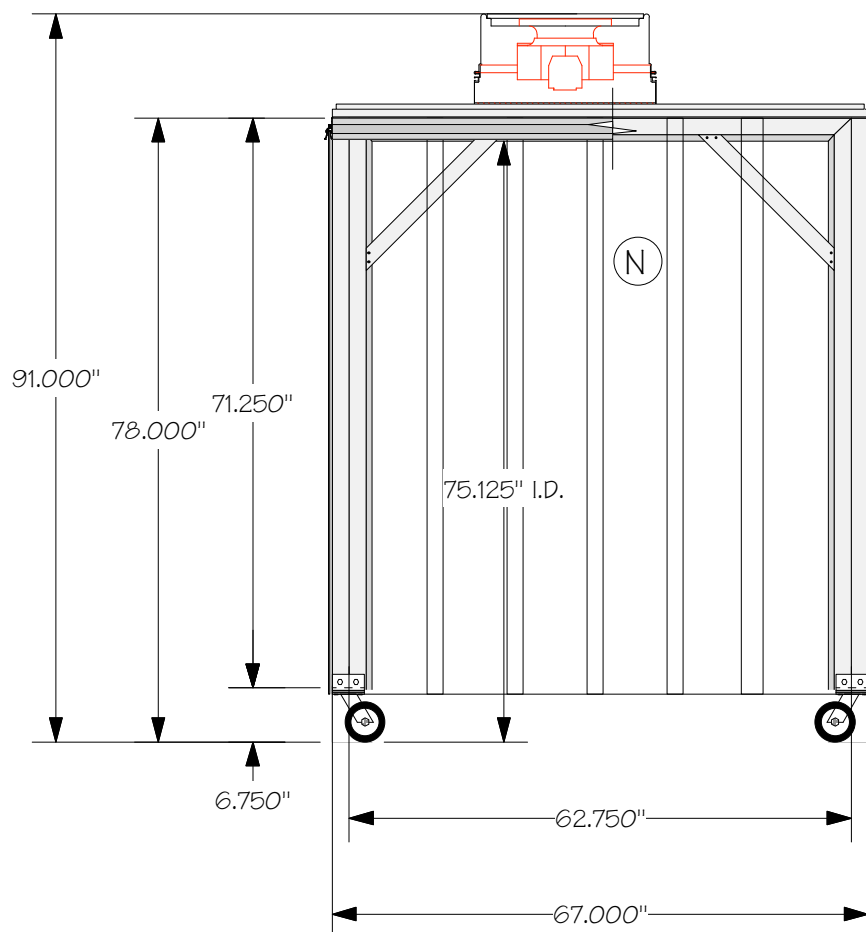
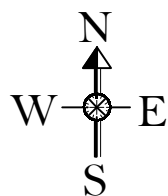


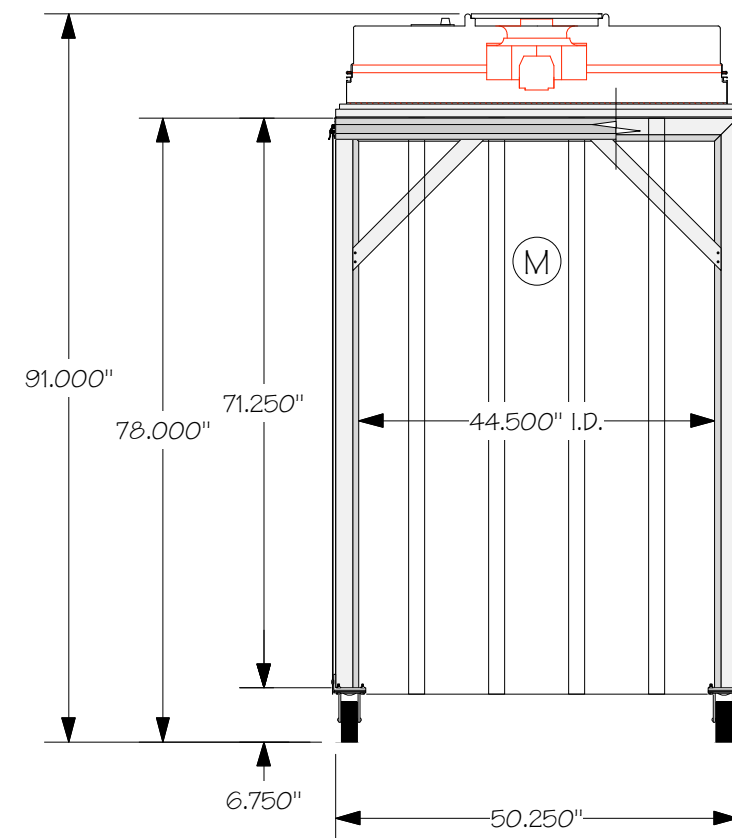
PLAN VIEW



CEILING LAYOUT



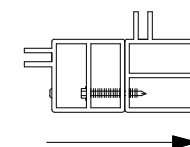
NORTH/ SOUTH VIEW



EAST/ WEST VIEW

NOTE:

- 1) STRIPS ARE 40 MIL CLEAR POLYSIM
12" WIDE W/ 2" OVERLAPS 6" A.F.F.
(40122 CLR POLYSIM 90"H)
- 2) HEPA UNIT & LIGHT FIXTURE ARE 220V



TYPICAL FRAME CONNECTION

ARROW=DIRECTION OF LEG TO LEG ATTACHMENT SCREWS.

SIMPLEX TM ISOLATION SYSTEMS		THIS DRAWING IS THE PROPERTY OF SIMPLEX ISOLATION SYSTEMS AND IS BEING SUBMITTED FOR REVIEW. THE DESIGN AND COMPONENTS ARE PROPRIETARY AND CONFIDENTIAL AND SHALL NOT BE COPIED OR DISCLOSED TO ANY OTHER PARTY WITHOUT WRITTEN CONSENT BY SIMPLEX ISOLATION SYSTEMS.	
FOR:	CERN		
PROJECT:	4'X6'X6.5'H SIS W/ CASTERS		
DRAWN BY:	JEREMY TODD	DATE:	12/16/11
APPROVED BY:		DATE:	
SCALE:	1" : 2'	PAGES:	1 of 1
DWG #:	JT 121511-2		
REVISIONS:	REV 1 12/16: ADJUSTED O.D. TO 67"		