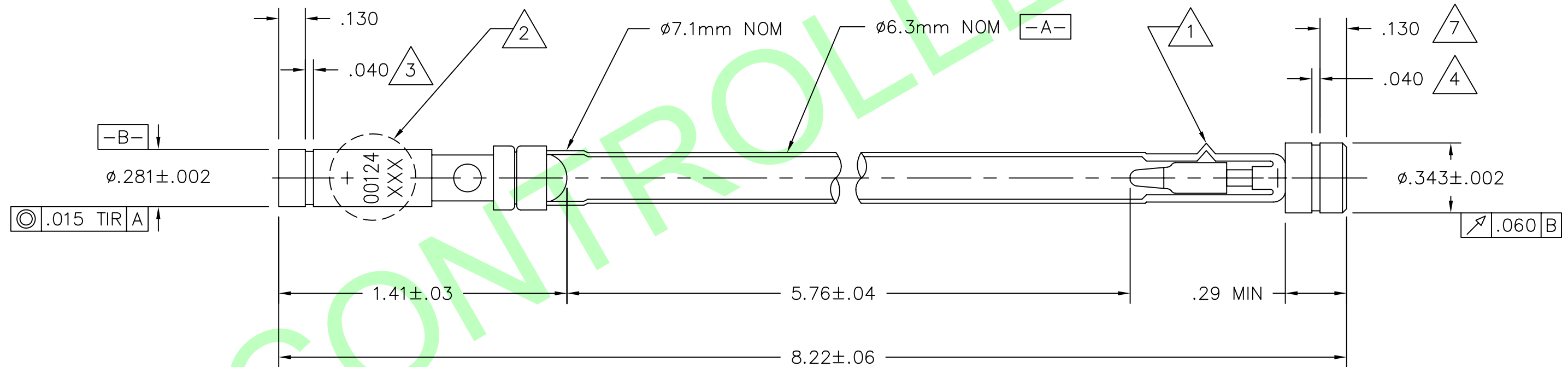


This document contains confidential and proprietary information of PerkinElmer, Inc. The contents shall not be disclosed, reproduced, duplicated, disseminated or used for purposes other than authorized in writing by PerkinElmer, Inc.

REVISIONS				
ZONE	REV.	DESCRIPTION	DATE	APPROVED
	AB	REV/ECN 168833	04/03/07	D. CARDEN

NOTES:

- 1 TIP-OFF HEIGHT: .08 MAX. LOCATED ON CATHODE END.
- 2 ANODE BASE CONTAINS THE FOLLOWING: (1) POSITIVE SYMBOL (2) 00124 (3) THREE DIGIT DATE CODE.
- 3 DIAMETER IN THIS REGION IS .260 +.000/-.005.
- 4 DIAMETER IN THIS REGION IS .322 +.000/-.005.
- 5. ENVELOPE MATL: CLEAR FUSED QUARTZ.
- 6. BASE MATL: NICKEL PLATED COPPER.
- 7 SERIAL NO. LOCATED ON CATHODE BASE IN THIS REGION.



INTERFACE CONTROL DRAWING

UNLESS OTHERWISE SPECIFIED DIMENSIONS ARE IN INCHES TOLERANCES ARE: FRACTIONS .XX ± .01 ANGLES ± 1° ± 1/64 .xxx ± .005 SURFACE ROUGHNESS: 125 ✓ MATERIAL: FINISH:	CONTRACT NO.		PerkinElmer Precisely SHORT ARC LIGHTING, FREMONT 44370 Christy Street, Fremont, CA. 94538, U.S.A.	
	APPROVALS		DATE	
	DRAWN BY BROWN		2-1-90	
	CHECKED			
ENGR.				TITLE
PROJ. ENGR. JL		2-6-90		KRYPTON ARC LAMP
QA		SIZE B	CAGE CODE 31573	DWG. NO. L6475
M & P		SCALE NONE	DO NOT SCALE DRAWING	REV. AB
		SHEET 1 OF 1		